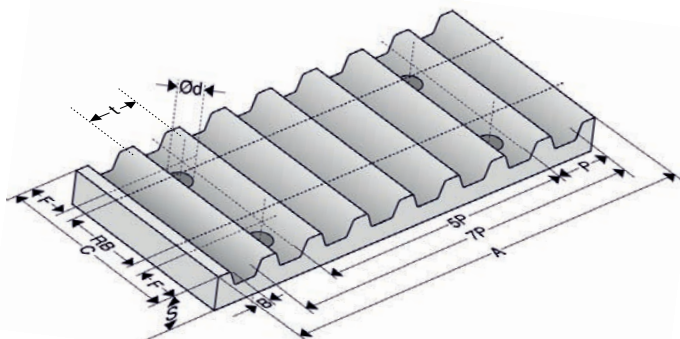
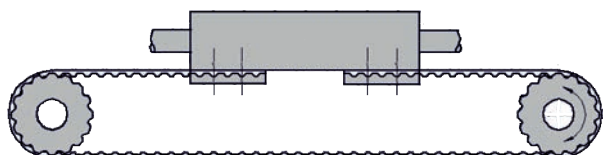




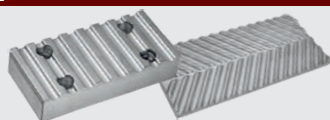
# UPÍNACÍ DESKY OZUBENÝCH METRÁŽÍ

Upínací desky slouží k upnutí konců ozubených metráží k zařízení. Pro daný profil metráže je nutno použít upínací desku se shodným profilem ozubení. Všechny upínací desky se vyrábí z hliníku.



### Upínací desky CP

Materiál: Al



PTS Strongbelt

Označení	Rozteč t	RB	C	F	A	B	S	d
CP- 6T5	5,000	6,00	25,0	6,0	41,8	3,2	8,0	5,5
CP- 10T5	5,000	10,00	29,0	6,0	41,8	3,2	8,0	5,5
CP- 16T5	5,000	16,00	35,0	6,0	41,8	3,2	8,0	5,5
CP- 25T5	5,000	25,00	44,0	6,0	41,8	3,2	8,0	5,5
CP- 32T5	5,000	32,00	51,0	6,0	41,8	3,2	8,0	5,5
CP- 50T5	5,000	50,00	69,0	6,0	41,8	3,2	8,0	5,5
CP- 16T10	10,000	16,00	41,0	8,0	80,0	5,0	15,0	9,0
CP- 25T10	10,000	25,00	50,0	8,0	80,0	5,0	15,0	9,0
CP- 32T10	10,000	32,00	57,0	8,0	80,0	5,0	15,0	9,0
CP- 50T10	10,000	50,00	75,0	8,0	80,0	5,0	15,0	9,0
CP- 75T10	10,000	75,00	100,0	8,0	80,0	5,0	15,0	9,0
CP-100T10	10,000	100,00	125,0	8,0	80,0	5,0	15,0	9,0
CP- 25T20	20,000	25,00	56,0	10,0	160,0	10,0	20,0	11,0
CP- 32T20	20,000	32,00	65,0	10,0	160,0	10,0	20,0	11,0
CP- 50T20	20,000	50,00	81,0	10,0	160,0	10,0	20,0	11,0
CP- 75T20	20,000	75,00	106,0	10,0	160,0	10,0	20,0	11,0
CP-100T20	20,000	100,00	132,0	10,0	160,0	10,0	20,0	11,0
CP- 6AT5	5,000	6,00	25,0	6,0	41,8	3,2	8,0	5,5
CP- 10AT5	5,000	10,00	29,0	6,0	41,8	3,2	8,0	5,5
CP- 16AT5	5,000	16,00	35,0	6,0	41,8	3,2	8,0	5,5
CP- 25AT5	5,000	25,00	44,0	6,0	41,8	3,2	8,0	5,5
CP- 32AT5	5,000	32,00	51,0	6,0	41,8	3,2	8,0	5,5
CP- 50AT5	5,000	50,00	61,0	6,0	41,8	3,2	8,0	5,5
CP- 16AT10	10,000	16,00	41,0	8,0	80,0	5,0	15,0	9,0
CP- 25AT10	10,000	25,00	50,0	8,0	80,0	5,0	15,0	9,0
CP- 32AT10	10,000	32,00	57,0	8,0	80,0	5,0	15,0	9,0
CP- 50AT10	10,000	50,00	75,0	8,0	80,0	5,0	15,0	9,0
CP- 75AT10	10,000	75,00	100,0	8,0	80,0	5,0	15,0	9,0
CP-100AT10	10,000	100,00	125,0	8,0	80,0	5,0	15,0	9,0
CP- 25AT20	20,000	25,00	56,0	10,0	160,0	10,0	20,0	11,0
CP- 32AT20	20,000	32,00	65,0	10,0	160,0	10,0	20,0	11,0
CP- 50AT20	20,000	50,00	81,0	10,0	160,0	10,0	20,0	11,0
CP- 75AT20	20,000	75,00	106,0	10,0	160,0	10,0	20,0	11,0
CP-100AT20	20,000	100,00	132,0	10,0	160,0	10,0	20,0	11,0

Označení	Rozteč t	RB	C	F	A	B	S	d
CP- 5M06	5,000	6,00	25,0	6,0	41,8	3,2	8,0	5,5
CP- 5M09	5,000	9,00	28,0	6,0	41,8	3,2	8,0	5,5
CP- 5M15	5,000	15,00	34,0	6,0	41,8	3,2	8,0	5,5
CP- 5M25	5,000	25,00	44,0	6,0	41,8	3,2	8,0	5,5
CP- 8M10	8,000	10,00	35,0	8,0	66,0	5,0	15,0	9,0
CP- 8M15	8,000	25,00	40,0	8,0	66,0	5,0	15,0	9,0
CP- 8M20	8,000	20,00	45,0	8,0	66,0	5,0	15,0	9,0
CP- 8M30	8,000	30,00	55,0	8,0	66,0	5,0	15,0	9,0
CP- 8M50	8,000	50,00	75,0	8,0	66,0	5,0	15,0	9,0
CP- 8M85	8,000	85,00	110,0	8,0	66,0	5,0	15,0	9,0
CP- 14M25	14,000	25,00	56,0	10,0	116,0	9,0	22,0	11,0
CP- 14M40	14,000	40,00	71,0	10,0	116,0	9,0	22,0	11,0
CP- 14M55	14,000	55,00	86,0	10,0	116,0	9,0	22,0	11,0
CP- 14M85	14,000	85,00	116,0	10,0	116,0	9,0	22,0	11,0
CP- 14M115	14,000	115,00	146,0	10,0	116,0	9,0	22,0	11,0
CP- XL025	5,080	6,35	25,5	6,0	42,5	3,5	8,0	5,5
CP- XL037	5,080	9,53	28,5	6,0	42,5	3,5	8,0	5,5
CP- XL050	5,080	12,70	32,0	6,0	42,5	3,5	8,0	5,5
CP- XL075	5,080	19,05	38,0	6,0	42,5	3,5	8,0	5,5
CP- XL100	5,080	25,40	45,0	6,0	42,5	3,5	8,0	5,5
CP- L037	9,525	9,53	36,0	8,0	76,6	5,0	15,0	9,0
CP- L050	9,525	12,70	39,0	8,0	76,6	5,0	15,0	9,0
CP- L075	9,525	19,05	45,0	8,0	76,6	5,0	15,0	9,0
CP- L100	9,525	25,40	51,5	8,0	76,6	5,0	15,0	9,0
CP- L150	9,525	38,10	64,0	8,0	76,6	5,0	15,0	9,0
CP- L200	9,525	50,80	77,0	8,0	76,6	5,0	15,0	9,0
CP- H050	12,700	12,70	45,0	10,0	106,9	9,0	22,0	11,0
CP- H075	12,700	19,05	51,0	10,0	106,9	9,0	22,0	11,0
CP- H100	12,700	25,40	57,5	10,0	106,9	9,0	22,0	11,0
CP- H150	12,700	38,10	70,0	10,0	106,9	9,0	22,0	11,0
CP- H200	12,700	50,80	83,0	10,0	106,9	9,0	22,0	11,0
CP- H300	12,700	76,00	108,0	10,0	106,9	9,0	22,0	11,0
CP- H400	12,700	101,60	134,0	10,0	106,9	9,0	22,0	11,0
CP- Eagle 8	8,000	-	75,0	-	120,0	-	12,0	-
CP- Eagle 14	14,000	-	130,0	-	200,0	-	18,0	-

Vzor označení

Upínací deska CP - 16T5

Upínací deska CP - specifikace zboží

16T5 - označení profil